



LED Flexible Strip UCS1903 Series LM5050-UCS1903-12V



Product feature

UCS1903 (external IC) flexible strip:

UCS1903 flexible strip using a IC three lights, commonly known as "one to three", IC UCS1903, is the 5050 color lamp lamp. The working voltage of 12V DC voltage, equipped with full-color 12V controller can realize the gradient / jump, single / multi Valley, water / chase, meteor / flash! Color change and so on! With intelligent IC core with light, through the color controller or with programming, to achieve any desired effect.

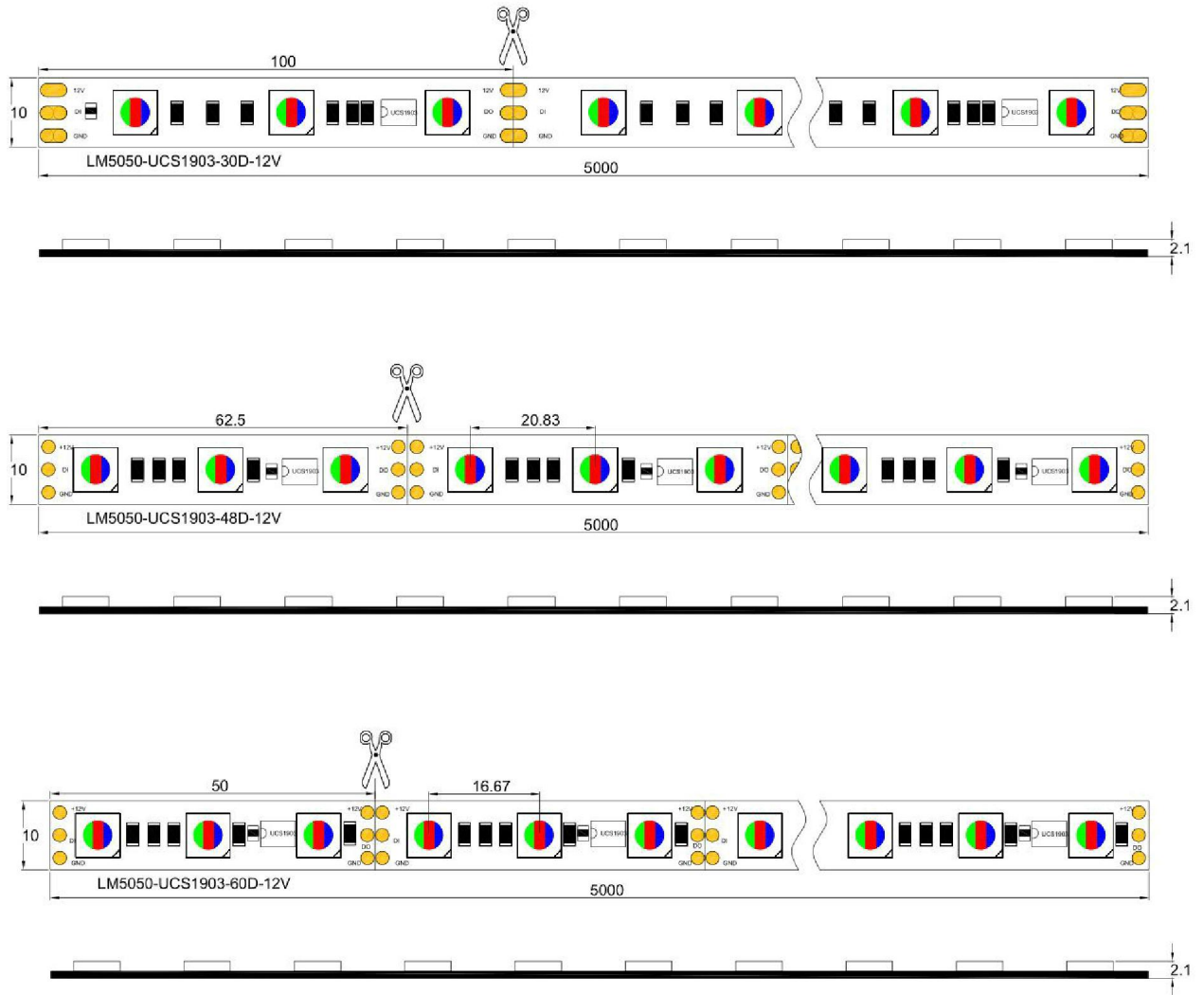
UCS1903 external IC flexible strip has three kinds of specifications



Technical parameters

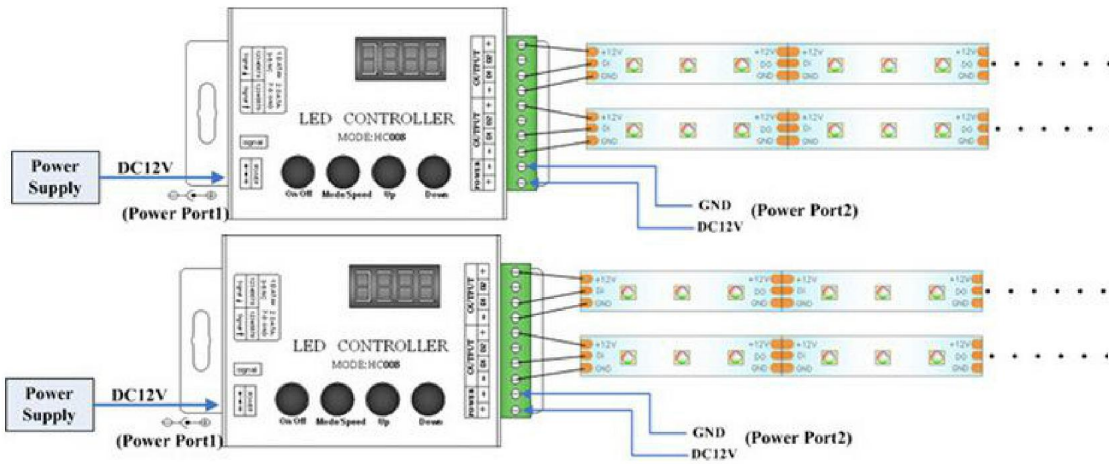
Mode	Input voltage	LED Q'ty/M	Display color	Pixel point	Each length	Power	IC	Packing	Control mode	Data transmission rate	Display gray level	Circuit board color	Waterproof performance	Working temperature	Working life
LM5050-UCS1903 -30D	12V	30	full color	10pix/M	100.0mm/segment	7.2W/M	1903	5M/disk	Single track zero code	800K/s	256	White	Casing, epoxy, glue waterproof	-40---80℃	30Kh
LM5050-UCS1903 -48D		48		16pix/M	62.5mm/segment	11.52W/M									
LM5050-UCS1903 -60D		60		20pix/M	50mm/segment	14.4W/M									

Dimension(mm/inch)

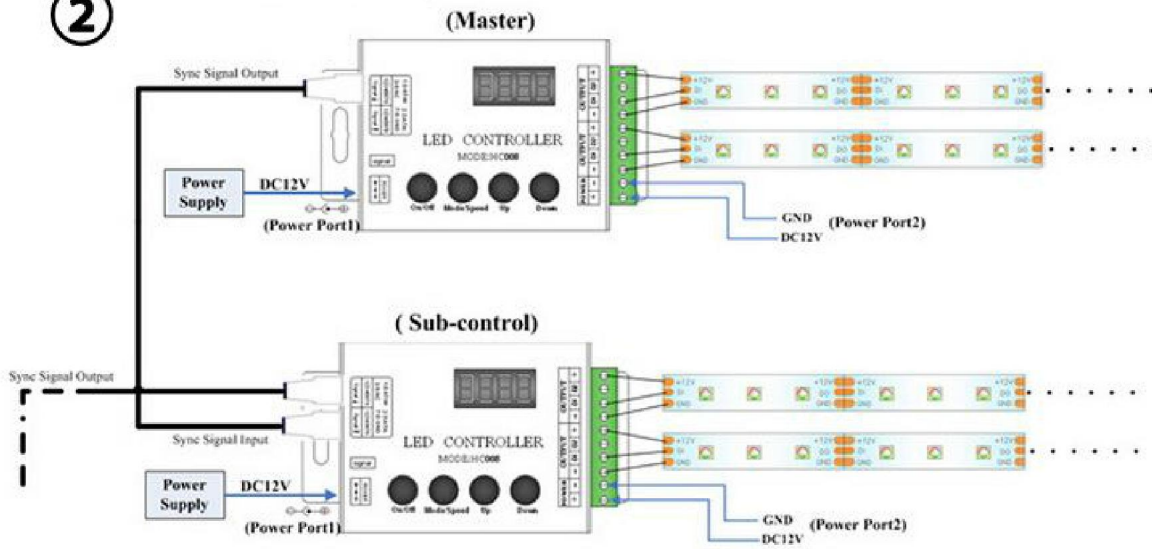


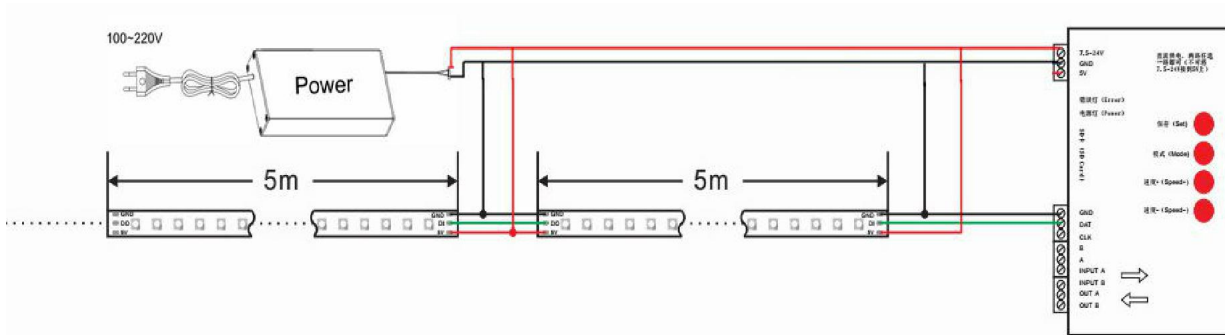
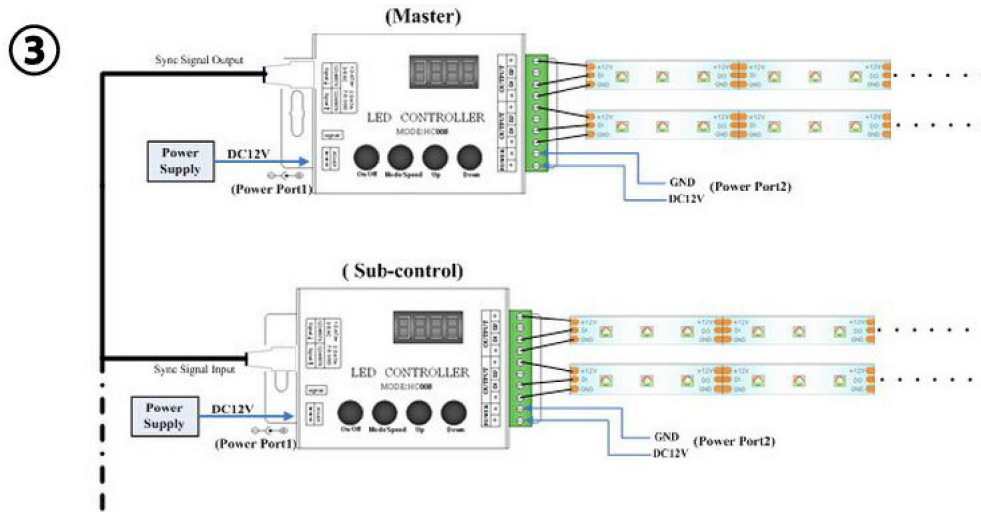
Linking operation

①



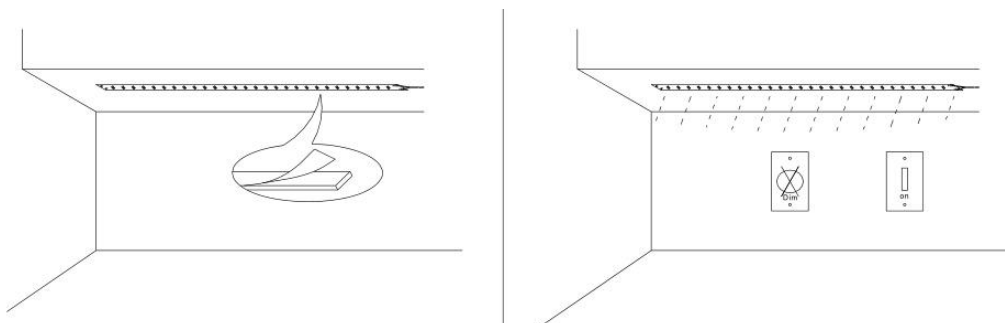
②



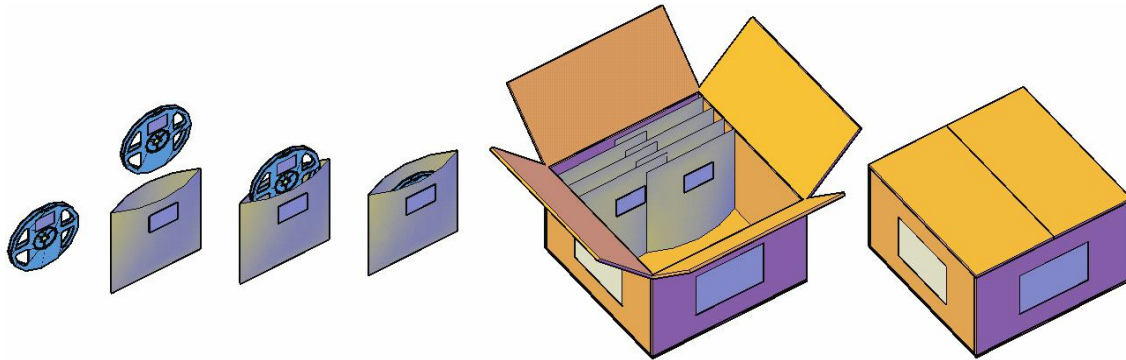


Notes: Controller can carry 2048 pixels
 Full load carrying frame rate will slow down, it is recommended to carry 1600-1800 pixels

installation



Product packaging



Safety Information

- The strip itself and all its components may not be mechanically stressed.
- Assembly must not damage or destroy conducting paths on the circuit board.
- Installation of LED ribbon (with power supplies) needs to be made with regard to all applicable electrical and safety standards. Only qualified personnel should be allowed to perform installations.
- Correct electrical polarity needs to be observed. Wrong polarity may destroy the strip.
- Parallel connection is highly recommended as safe electrical operation mode.
- Serial connection is not recommended. Unbalanced voltage drop can cause hazardous overload and damage the strip.
- Please ensure that the power supply is of adapters power to operate the total load.
- When mounting on metallic or otherwise conductive surfaces, there needs to be an electrical isolation points between strip and the mounting surface.
- Pay attention to standard ESD precautions when installing the strip.
- Damaged by corrosion will not be honored as a materials defect claim. It is the user's responsibility to provide suitable protection against corrosive agents such as moisture and condensation and other harmful elements.