

# LED Flexible Strip 5050 Series

## LM5050-WN30-RGB-HL-24V



### Product feature

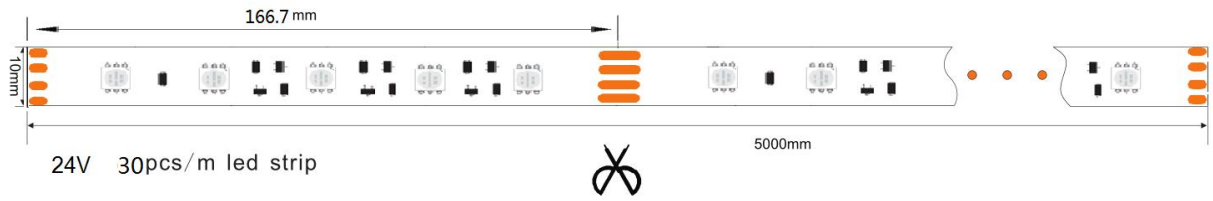
- ◆ 30 leds per meter, 5 meters per roll, the theoretical power 3.6w/meter rating: 18w/5m, light angle 120 degrees. Can be customized according to needed
- ◆ Flexible, cuttable, back with 3M double-sided adhesive, can be installed in the concave convex surface, easy to install.
- ◆ Led strip supports external light regulator type: 0/1-10V PWM Dali Dimmable inductive switch controller
- ◆ Cutting unit is 16.67cm, 5 led chips can be used as a unit, cutting does not affect other parts. Normal length is 5 meters, other lengths also acceptable.
- ◆ Low power consumption, low fever, no glare, impact resistance, energy saving and environmental conservation.
- ◆ LED can be customized to glue dust (IP65), (IP66), silicone casing plus glue waterproof (IP68);
- ◆ Life time: Mean time between failure (MTBF): 50-100K hour



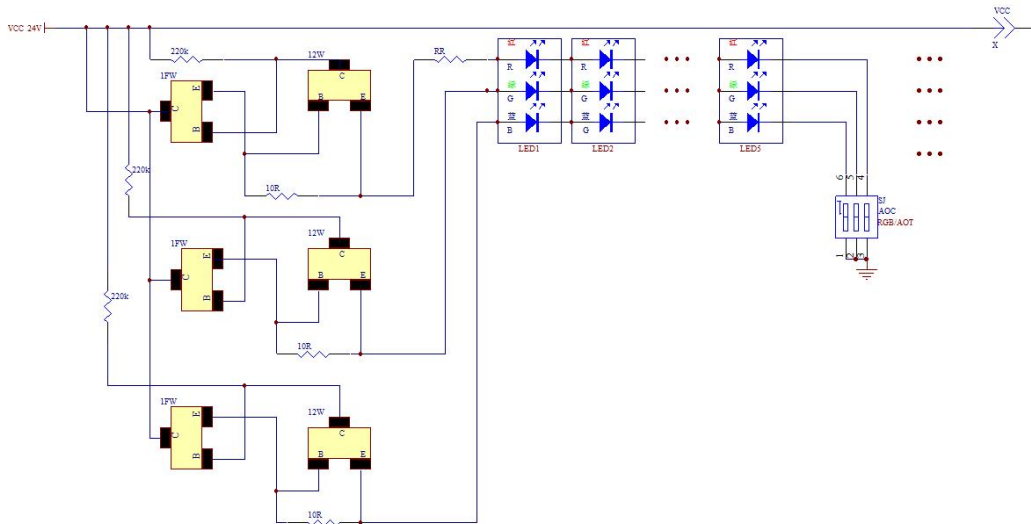
### Technical parameters

Mode	LED Q'ty/M	Color temperature	Voltage (V DC)	Electric current (A/m)	Power ± 10% (W/m)	FPC Width
LM5050-WN30-RGB-HL-24V	30	RGB	24	0.15	3.6W/m	10mm

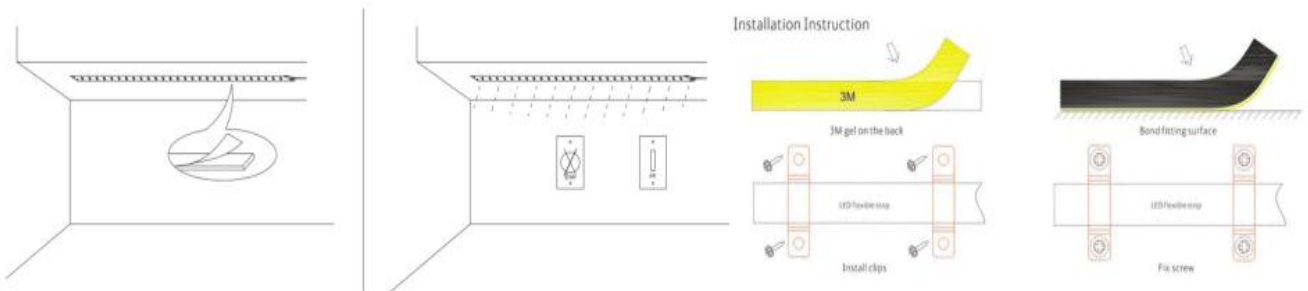
# Dimension(mm/inch)



# Linking Operation

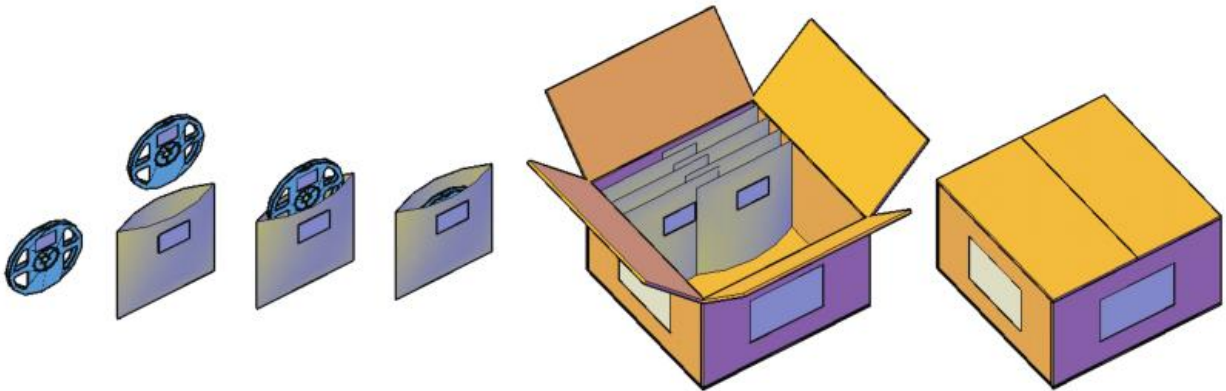


# Installation



---

## Product packaging



## Safety Information

- The strip itself and all its components may not be mechanically stressed.
  - Assembly must not damage or destroy conducting paths on the circuit board.
  - Installation of LED ribbon (with power supplies) needs to be made with regard to all applicable electrical and safety standards. Only qualified personnel should be allowed to perform installations.
  - Correct electrical polarity needs to be observed. Wrong polarity may destroy the strip.
  - Parallel connection is highly recommended as safe electrical operation mode.
  - Serial connection is not recommended. Unbalanced voltage drop can cause hazardous overload and damage the strip.
  - Please ensure that the power supply is of adapters power to operate the total load.
  - When mounting on metallic or otherwise conductive surfaces, there needs to be an electrical isolation points between strip and the mounting surface.
  - Pay attention to standard ESD precautions when installing the strip.
  - Damaged by corrosion will not be honored as a materials defect claim. It is the user's responsibility to provide suitable protection against corrosive agents such as moisture and condensation and other harmful elements.
-